

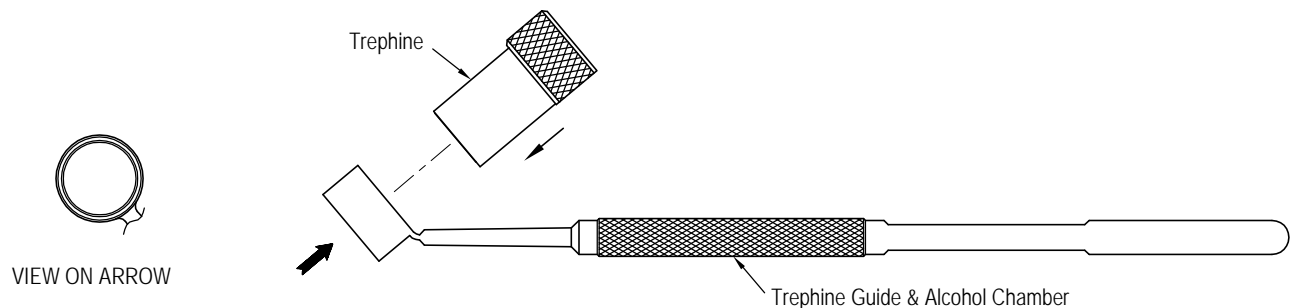
LASEK Instruments

Duckworth and Kent continues to keep abreast of the new and current techniques used in the ophthalmic medical field by constantly producing new instruments. These new instruments maybe a new design to accommodate an advancing or new procedure or a simple adaptation to what is in the current range. This leaflet displays all the new LASEK instruments that have been added to the D&K range.

Up to date and full Duckworth and Kent product range, refer to...

www.duckworth-and-kent.com

DK Epithelial Trephine with Trephine Guide and Alcohol Chamber (order separately)



DK Epithelial Trephine

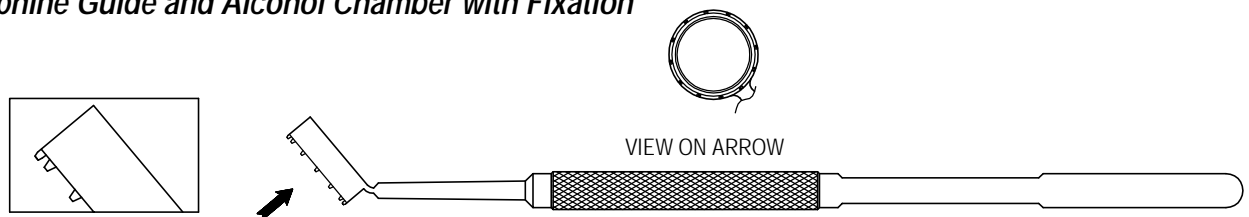
- Trephine creates a 300° incision into the epithelium
- Flat on knurled depicts the hinge of the epithelium flap
- Trephine height 20.0mm

DK Trephine Guide and Alcohol Chamber, specify

- Alcohol chamber height 6.0mm
- Internal diameter 0.5mm larger than incision
- Round handle, length 125.0mm

Ø8.0mm incision	DK Epithelial Trephine, specify 6-924	DK Trephine Guide and Alcohol Chamber, specify 6-944
Ø8.5mm incision	DK Epithelial Trephine, specify 6-925	DK Trephine Guide and Alcohol Chamber, specify 6-945
Ø9.0mm incision	DK Epithelial Trephine, specify 6-926	DK Trephine Guide and Alcohol Chamber, specify 6-946
Ø9.5mm incision	DK Epithelial Trephine, specify 6-927	DK Trephine Guide and Alcohol Chamber, specify 6-947
Ø10.0mm incision	DK Epithelial Trephine, specify 6-928	DK Trephine Guide and Alcohol Chamber, specify 6-948
Ø10.5mm incision	DK Epithelial Trephine, specify 6-929	DK Trephine Guide and Alcohol Chamber, specify 6-949
Ø11.0mm incision	DK Epithelial Trephine, specify 6-930	DK Trephine Guide and Alcohol Chamber, specify 6-950

Bates Trephine Guide and Alcohol Chamber with Fixation

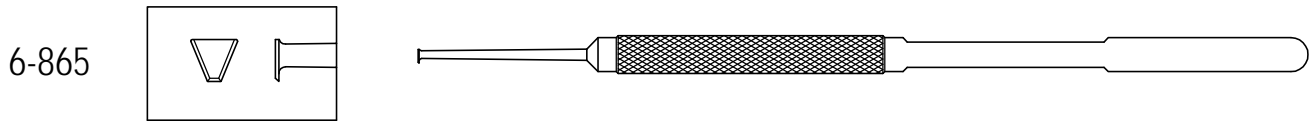


- Low profile alcohol chamber, height 4.0mm
- Internal diameter 0.5mm larger than incision
- Designed as a guide for the DK Epithelial Trephine (see above)
- Round handle, length 125.0mm

Ø8.0mm incision	Bates Trephine Guide and Alcohol Chamber with Fixation 6-944-1	DK Epithelial Trephine, specify 6-924
Ø8.5mm incision	Bates Trephine Guide and Alcohol Chamber with Fixation 6-945-1	DK Epithelial Trephine, specify 6-925
Ø9.0mm incision	Bates Trephine Guide and Alcohol Chamber with Fixation 6-946-1	DK Epithelial Trephine, specify 6-926
Ø9.5mm incision	Bates Trephine Guide and Alcohol Chamber with Fixation 6-947-1	DK Epithelial Trephine, specify 6-927
Ø10.0mm incision	Bates Trephine Guide and Alcohol Chamber with Fixation 6-948-1	DK Epithelial Trephine, specify 6-928
Ø10.5mm incision	Bates Trephine Guide and Alcohol Chamber with Fixation 6-949-1	DK Epithelial Trephine, specify 6-929
Ø11.0mm incision	Bates Trephine Guide and Alcohol Chamber with Fixation 6-950-1	DK Epithelial Trephine, specify 6-930

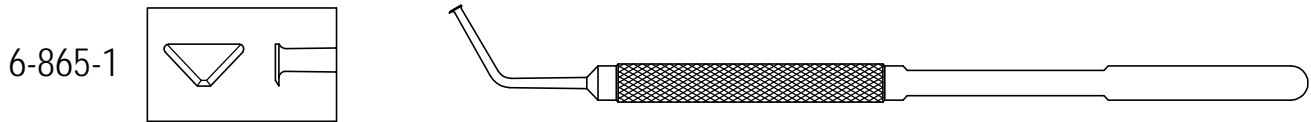
Supplementary Instruments

DK Epithelial Edge Lifter



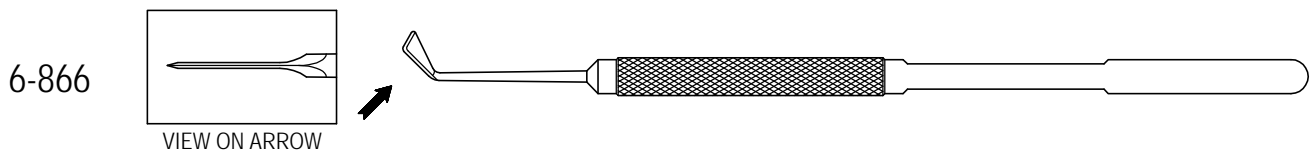
- Hoe-shaped tip, 2.12mm - 0.6mm (width) x 1.85mm (height)
- Round handle, length 120.0mm

DK Angled Epithelial Edge Lifter



- Hoe-shaped tip, 3.52mm - 0.6mm (width) x 1.85mm (height)
- 45° angled shaft, tip to angle length 11.0mm
- Round handle, length 113.5mm

DK Epithelial Separator / Lifter



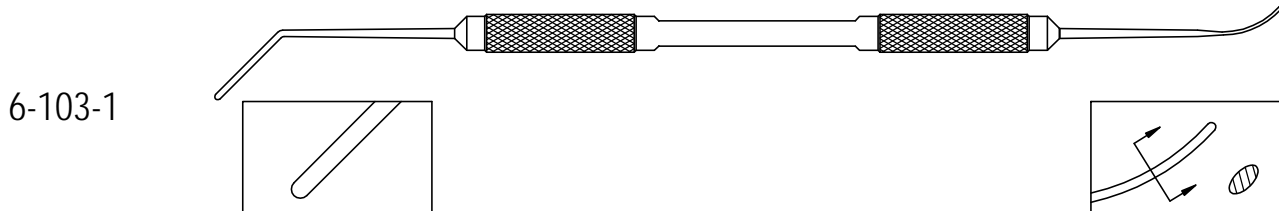
- 3.0mm triangular-shaped tip
- 45° angled shaft
- Round handle, length 120.0mm

DK Epithelial Separator



- 10.0mm wide tip, 0.25mm thickness
- Flat handle, length 106.0mm

DK Double Ended Spatula (for repositioning epithelial flap)

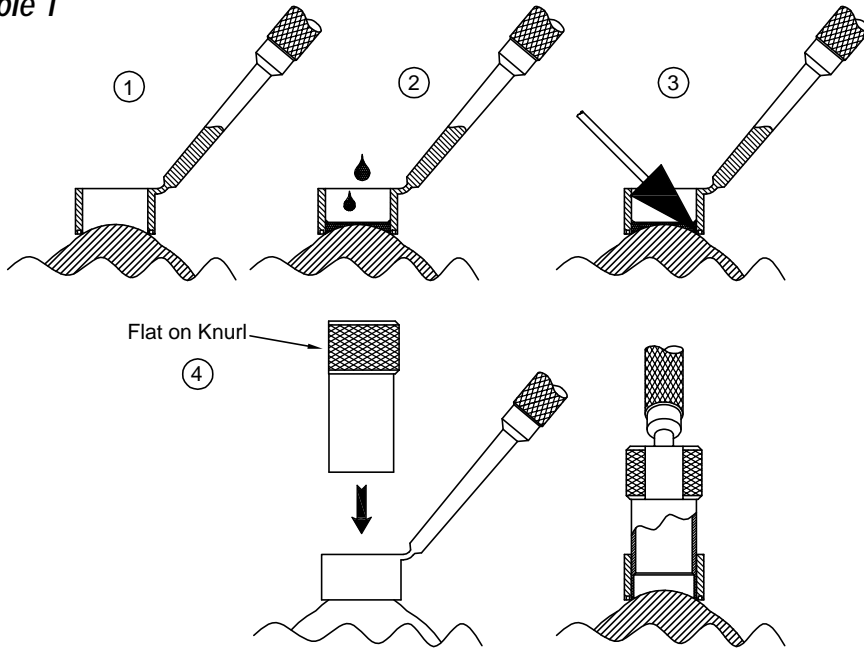


- 0.8mm diameter, double ended
- 45° angled shaft, tip to angle length 12.0mm, curved shaft
- Round handle, length 139.0mm

DK LASEK Instrument Set Guidance Notes

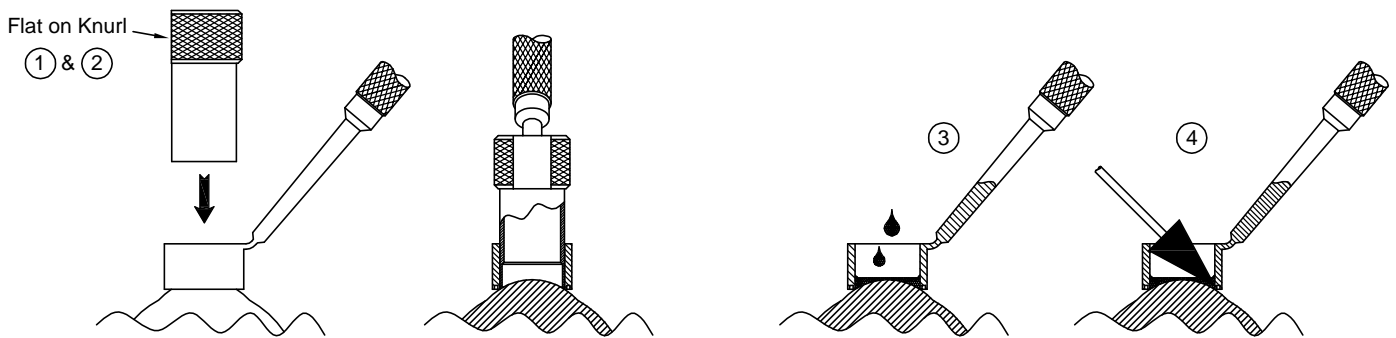
Guidance notes only

Example 1



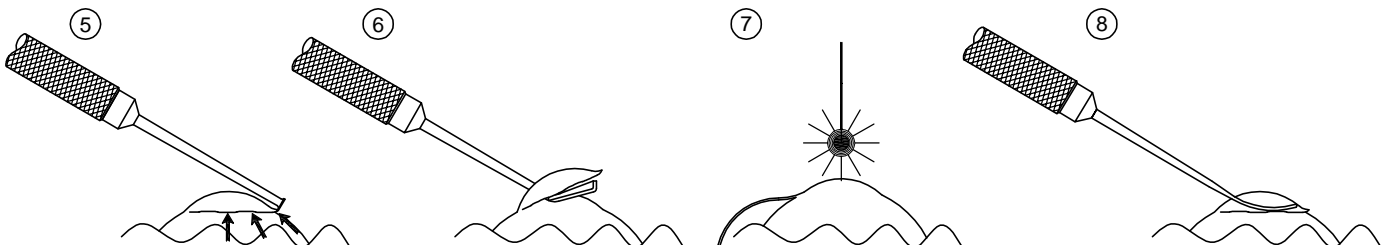
1. Centre alcohol chamber onto eye
2. Apply alcohol mixture into the chamber, covering the epithelium, and leave for the required time to soften the epithelium.
3. Soak up the excess alcohol.
4. Place the trephine into the alcohol chamber. The flat on the knurl of the trephine signifies the location of the hinge of the epithelium flap. Apply enough downward pressure with a slight twist in order to cut the tissue of the epithelium.

Example 2



1. Centre alcohol chamber onto eye
2. Place the trephine into the alcohol chamber. The flat on the knurl of the trephine signifies the location of the hinge of the epithelium flap. Apply enough downward pressure with a slight twist in order to cut the tissue of the epithelium.
3. Apply alcohol mixture into the chamber, covering the epithelium, and leave for the required time to soften the epithelium.
4. Soak up the excess alcohol.

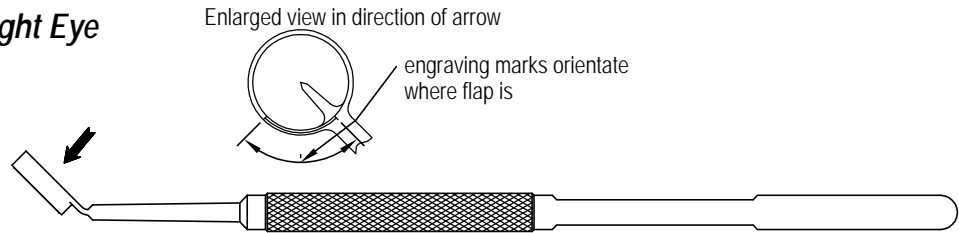
Continuation after example 1 or 2



5. Remove the alcohol chamber, then using the 6-865 or 6-865-1, lift the edges around the incision of the epithelial flap.
6. Once the edges are raised, use the 6-866 (shown) or the 6-867 to separate and lift the epithelium.
7. Apply Laser.
8. Following the application of the laser, use the spatula (6-103-1) to replace and smooth the epithelial flap.

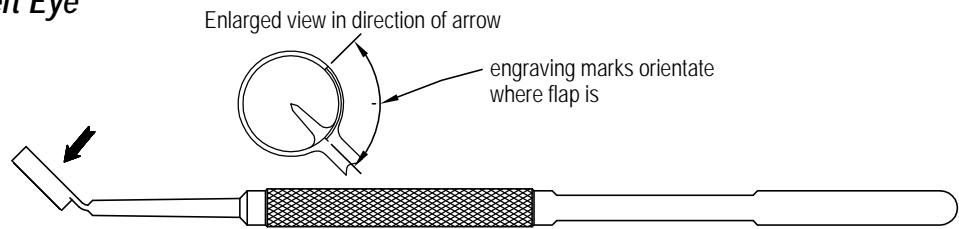
Infeld LASEK Set

Infeld LASEK Trephine, Right Eye



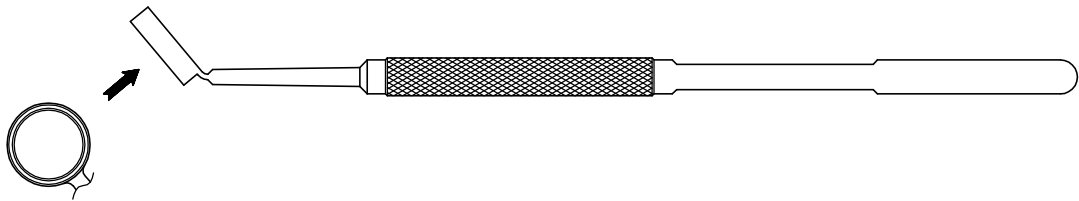
- Trephine creates a 270° incision into the epithelium
- Designed for the right eye, with the hinge of the epithelium flap to the left of the centre pointer
- Instrument is coloured gold for identification
- Round handle, length 125.0mm

Infeld LASEK Trephine, Left Eye



- Trephine creates a 270° incision into the epithelium
- Designed for the left eye, with the hinge of the epithelium flap to the right of the centre pointer
- Instrument is coloured blue for identification
- Round handle, length 125.0mm

Infeld Alcohol Chamber



- Low profile alcohol chamber, height 3.0mm
- Internal diameter 0.5mm larger than incision
- Round handle, length 125.0mm

Ø8.5mm Incision Infeld LASEK Trephine; Right Eye, specify **6-918** Left Eye, specify **6-919** Infeld Alcohol Chamber, specify **6-917**
 Ø9.0mm Incision Infeld LASEK Trephine; Right Eye, specify **6-918-1** Left Eye, specify **6-919-1** Infeld Alcohol Chamber, specify **6-917-1**

Schematic line drawings may vary from actual size with tip drawings shown enlarged. Descriptive or typographic are subject to correction

Duckworth & Kent Ltd

Terence House
 7 Marquis Business Centre
 Royston Road, Baldock
 Herts SG7 6XL England

Tel: +44 (0)1462 893254 Fax: +44 (0)1462 896288

Web: www.duckworth-and-kent.com

Email: info@duckworth-and-kent.com

Duckworth & Kent USA Ltd

9100 Watson Road
 Suite 100
 St. Louis, MO 63126-2241 USA

Tel: (314) 849-7773

Tel: (800) 756-7773

Fax: (314) 849-7776

Email: sales@dkusa.org



© September 2002 Duckworth & Kent Ltd
 Revised 12.02.2004