



Duckworth & Kent

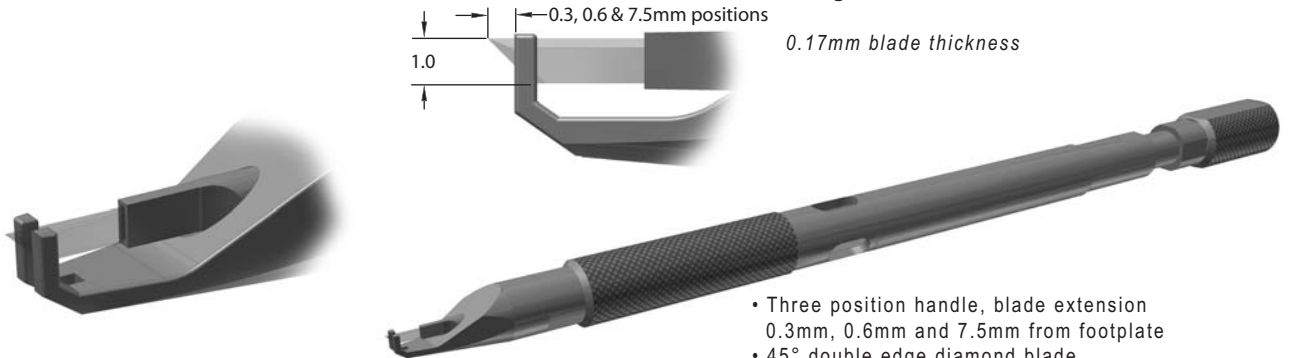
Ophthalmic Titanium Surgical Instruments

DK LRI Set

Titanium Instruments

5-835

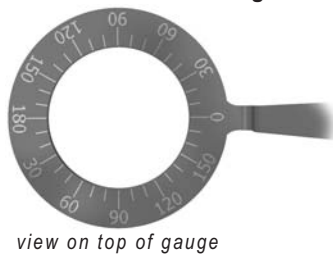
DK Three Position Diamond Knife, 45° Double Edge



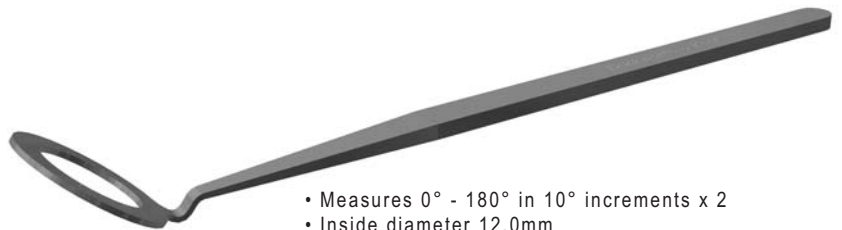
- Three position handle, blade extension 0.3mm, 0.6mm and 7.5mm from footplate
- 45° double edge diamond blade
- Length 128mm

9-700

DK Mendez Degree Gauge



view on top of gauge

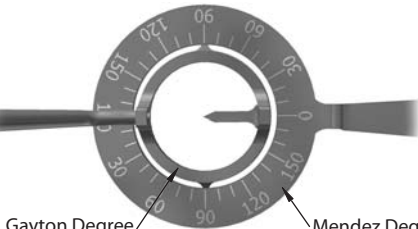
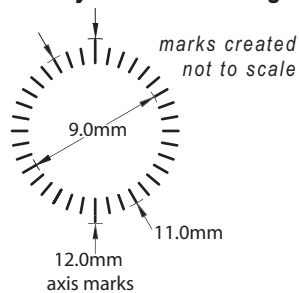


- Measures 0° - 180° in 10° increments x 2
- Inside diameter 12.0mm
- Flat handle, length 118.0mm

Round handle version available, specify 9-700R

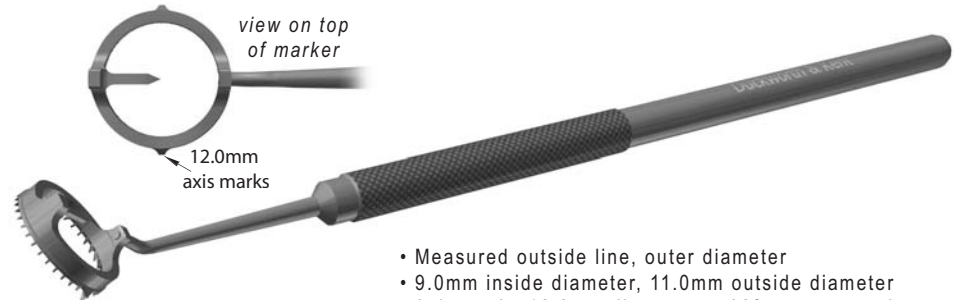
9-746

Gayton 360 Degree Marker



Gayton Degree Marker, 9-746

Mendez Degree Gauge, 9-700



view on top of marker

12.0mm axis marks

- Measured outside line, outer diameter
- 9.0mm inside diameter, 11.0mm outside diameter
- Axis marks 12.0mm diameter at 90° to center pointer
- Round handle, length 126.0mm
- Package insert certification

Designed to mark 10° intervals through 360° at 9.0mm to 11.0mm diameter. Instrument fits into the Mendez Degree Gauge (ref: 9-700 & 9-700R).

Duckworth & Kent Ltd.

Terence House
7 Marquis Business Centre
Royston Road, Baldock
Herts SG7 6XL England

Tel: +44 (0)1462 893254 Fax: +44 (0)1462 896288
Web: www.duckworth-and-kent.com
Email: info@duckworth-and-kent.com

www.duckworth-and-kent.com

